

DECANTER-CENTRIFUGES  
"MAMMOTH" SERIES



GRUPPO

**PIERALISI**

## DECANTER-CENTRIFUGES "MAMMOTH" SERIES

The MAMMOTH Series decanters have been designed on the basis of the most up-to-date decanter technology. They are available with various design features:

- casing/frame design ensuring minimum levels of vibrations and extra-low noise levels;
- extremely slimline design (up to 5.1:1), providing very large clarification length and volume, a remarkable advantage for processing;
- stainless-steel quality according to processing requirements for all parts in contact with the product treated;
- wear-protection in accordance with the level of abrasion of suspensions treated, e.g. with sintered Tungsten Carbide segments;
- fully-electrical drive system with intelligent power flow, as well as

patented Rotovariator for automatic operations with minimum energy consumption;

- decanter with electronic measurement of processing and machine parameters fitted as standard.

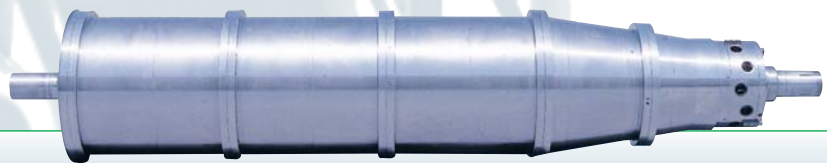
**ALL PARTS IN CONTACT WITH THE PRODUCT ARE MADE FROM STAINLESS STEEL**



Detail of rotovariator and reduction gear

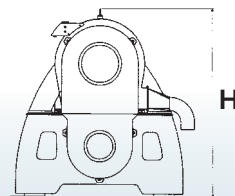
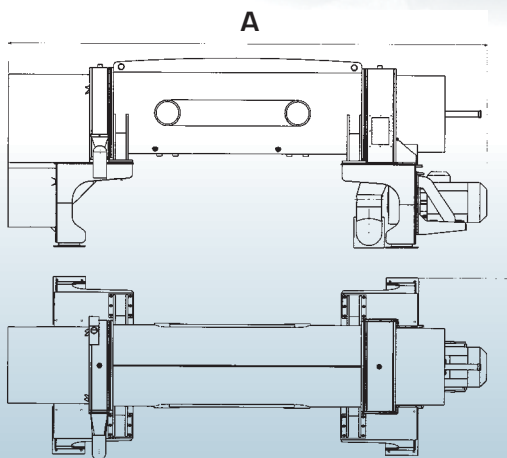


**MAMMOTH 2**



**MAMMOTH 3**

Model	Main motor power kW	Rotovariator power kW	Drum revolution max rpm	Centrifugal force max x g	Slenderness ratio L/D	Drum diameter mm	Hydraulic capacity l/h	Weight kg
<b>MAMMOTH 2</b>	45 ÷ 75	15 ÷ 25	2,700	2,350	3.92	570	65,000	5,540
<b>MAMMOTH 3</b>	55 ÷ 90	15 ÷ 25	2,700	2,350	5.10	570	85,000	6,520



Model	Total length A mm	Total width B mm	Total height H mm
<b>MAMMOTH 2</b>	4,350	1,920	1,985
<b>MAMMOTH 3</b>	5,010	1,920	1,985

GRUPPO

**PIERALISI**

Via Don Battistoni, 1 - 60035 JESI (AN) - Italy - Tel. +39-0731-231.1 - Fax +39-0731-231.239  
www.pieralisi.com - info@pieralisi.com