

DECANTER-CENTRIFUGES

“MAMMOTH” SERIES



GRUPPO

PIERALISI

DECANTER-CENTRIFUGES "MAMMOTH" SERIES

The MAMMOTH Series decanters have been designed on the basis of the most up-to-date decanter technology. They are available with various design features:

- casing/frame design ensuring minimum levels of vibrations and extra-low noise levels;
- extremely slimline design (up to 5.1:1), providing very large clarification length and volume, a remarkable advantage for processing;
- stainless-steel quality according to processing requirements for all parts in contact with the product treated;
- wear-protection in accordance with the level of abrasion of suspensions treated, e.g. with sintered Tungsten Carbide segments;
- fully-electrical drive system with intelligent power flow, as well as

patented Rotovariator for automatic operations with minimum energy consumption;

- decanter with electronic measurement of processing and machine parameters fitted as standard.

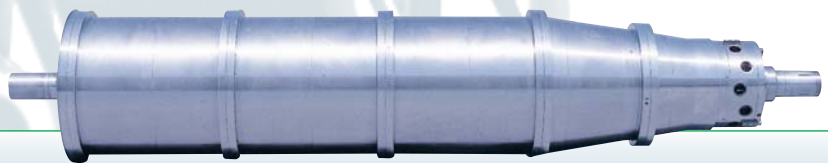
ALL PARTS IN CONTACT WITH THE PRODUCT ARE MADE FROM STAINLESS STEEL



Detail of rotovariator and reduction gear

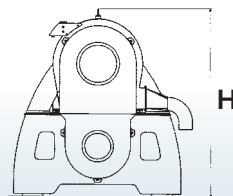
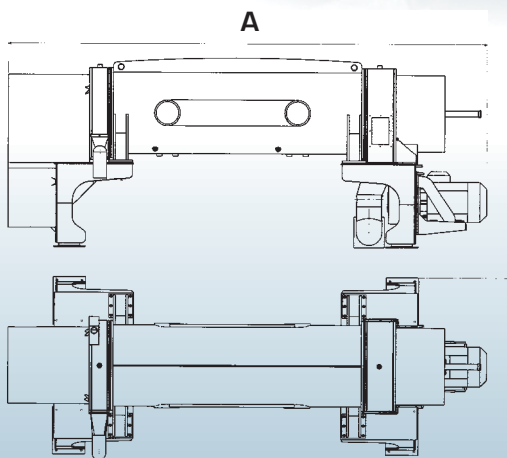


MAMMOTH 2



MAMMOTH 3

Model	Main motor power kW	Rotovariator power kW	Drum revolution max rpm	Centrifugal force max x g	Slenderness ratio L/D	Drum diameter mm	Hydraulic capacity l/h	Weight kg
MAMMOTH 2	45 ÷ 75	15 ÷ 25	2,700	2,350	3.92	570	65,000	5,540
MAMMOTH 3	55 ÷ 90	15 ÷ 25	2,700	2,350	5.10	570	85,000	6,520



Model	Total length A mm	Total width B mm	Total height H mm
MAMMOTH 2	4,350	1,920	1,985
MAMMOTH 3	5,010	1,920	1,985

GRUPPO

PIERALISI

Via Don Battistoni, 1 - 60035 JESI (AN) - Italy - Tel. +39-0731-231.1 - Fax +39-0731-231.239
www.pieralisi.com - info@pieralisi.com